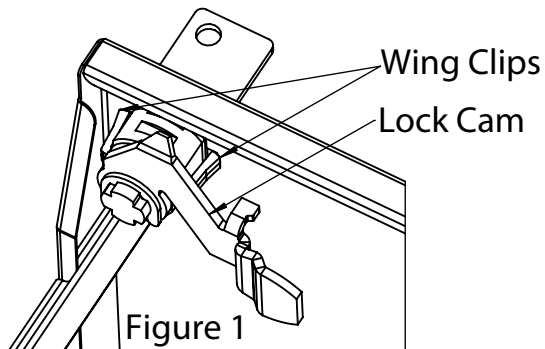


Lock Replacement Instructions

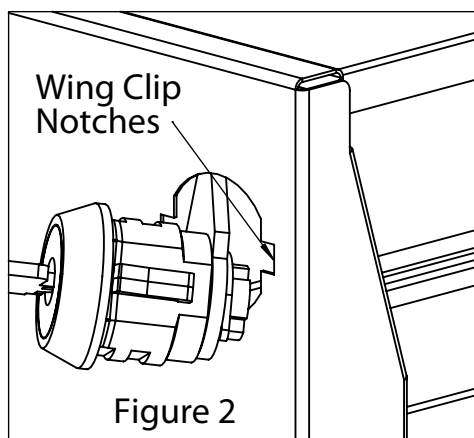


Note: Do not place your fingers behind or slide your fingers along the sheet metal edges.

To replace the lock in your file cabinet you must first remove the old lock.

To remove the old lock:

1. Open the drawer and locate the Wing Clips which hold the lock in place. (Figure 1)
2. With a flathead screwdriver push the Wing Clips toward the lock body and push the lock body forward until the Wing Clip on that side is slightly protruding out of the drawer front.
3. Again using the flathead screwdriver push the Wing Clip on the other side toward the lock body and push forward until the lock can be removed from the drawer.



To install the new lock:

1. Make sure that the cam is in the unlocked position by turning the key counterclockwise as far as it will go.
2. Feed the lock cam through the hole in the drawer front so the Lock Cam is pointing toward the center of the drawer (Figure 2) and align the Wing Clips with the notches in the drawer front (Figure 3).
3. Push the lock into the drawer front until the Wing Clips pass through the drawer front and snap into place behind the drawer front (Figure 4).

